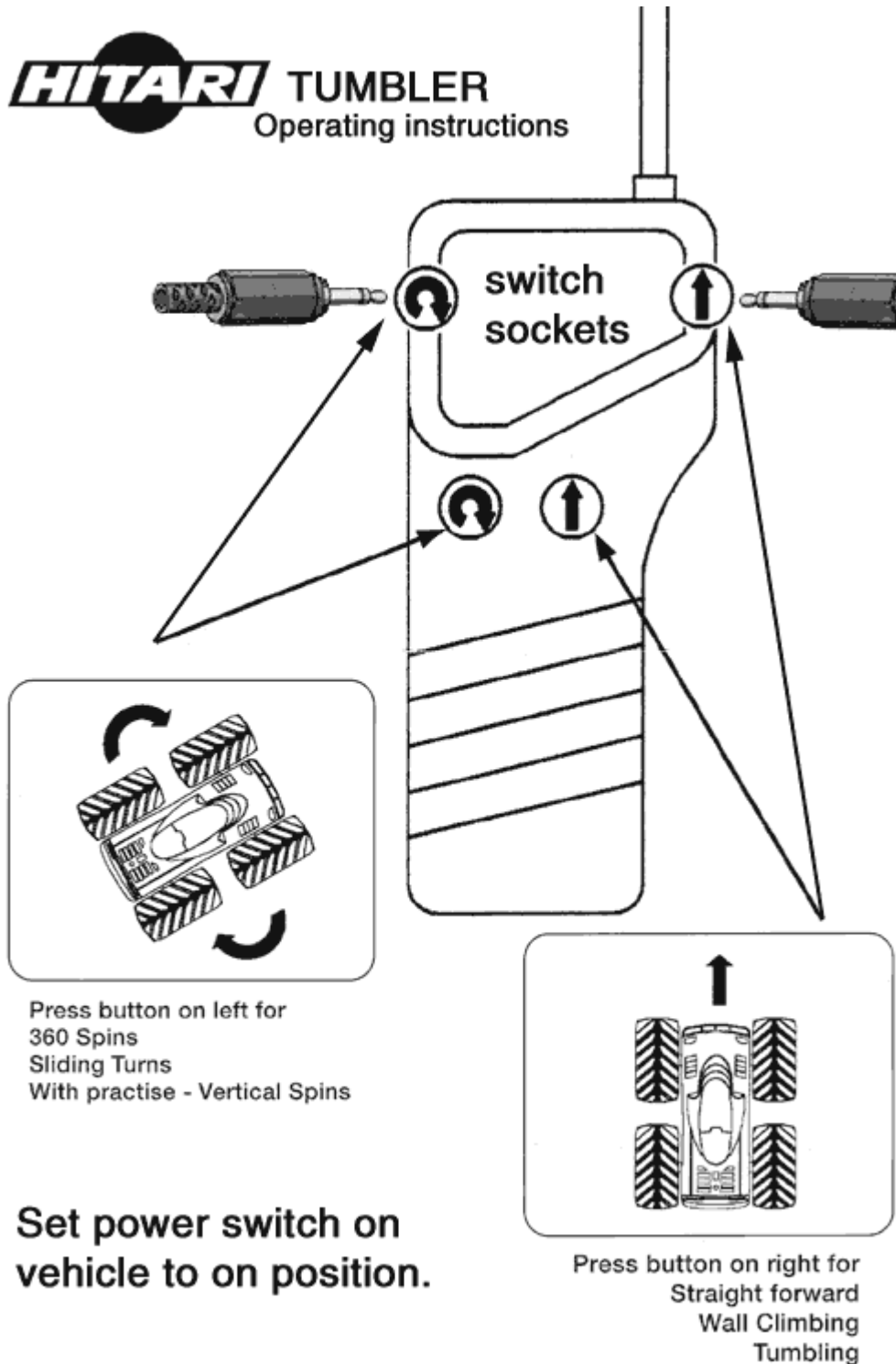


HITARI TUMBLER

Operating instructions



Set power switch on vehicle to on position.

TUMBLER - 4 X 4 INSTRUCTIONS:

Pre-Play Check

Warning:-

Not suitable for children under 36 months due to small parts. This toy is recommended for children age 8 and over. To ensure play is safe and fun, please review the operating instructions and safety rules with your child.

Avoid operating car if the wheels or car is jammed and unable to turn, as this may damage the circuitry.

Important Battery Information

THE 6V BATTERY PACK for the car takes around 3 ½ hours to charge. **DO NOT CHARGE if the battery pack is hot straight from the car. Wait for it to cool.**

A 9V BATTERY is required for the controller hand-set. Not supplied. A non-rechargeable battery is recommended for best response.



To Charge Your Battery Pack:

Connect the battery pack to the square JR connector on the charger. A red LED should illuminate next to Rx denoting that the battery is not fully charged. Plug the “NX83” charger into a UK 220/240volt wall socket.

Be sure the Battery Pack connector is firmly connected and the correct way around (there is a mark on the connectors to help you). Charging should take around 3 ½ hours. Further charging will not improve the performance and may damage your Battery pack.

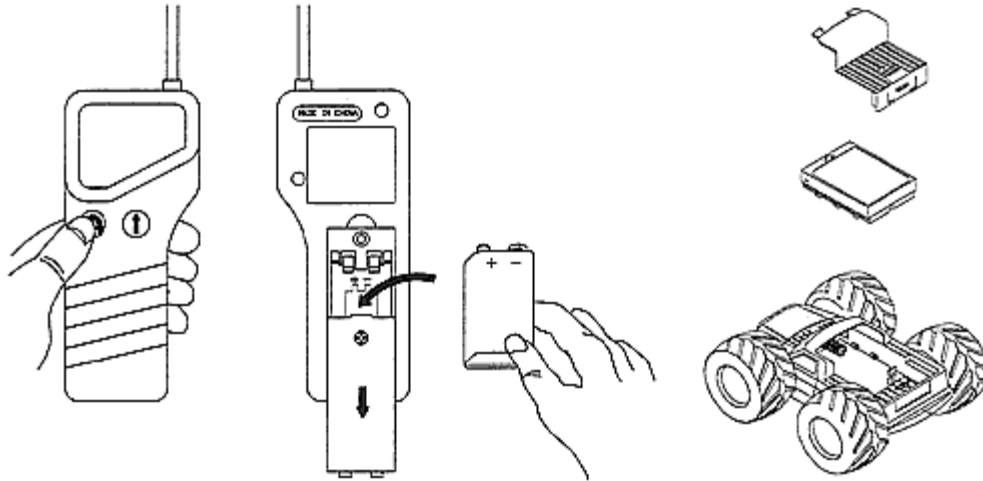
After charging for 3 ½ hours the Battery Pack will feel warm/hot, this is normal for fully charged Battery Packs.

Unlike Alkaline Batteries where the power loss is gradual, a NiMH Battery Packs will suddenly lose power. Then it is time to change or recharge the Battery Pack.

The play time per charge is approximately 15 minutes. After playing, the Battery Pack will be warm/hot, please wait until the Battery Pack cools before attempting to remove and recharge it.

Recharging a warm or hot Battery Pack will greatly reduce the number of times your Battery Pack can be recharged.

To disconnect the Battery Pack, push the Yellow button on the side of the Charger and simultaneously slide the Battery Pack out.



Battery Installation - Controller

To remove battery compartment lid - Remove screw and Slide lid down.

To insert 1 x 9V battery - Be guided by (+) & (-) markings and replace lid.

Battery Installation - Vehicle

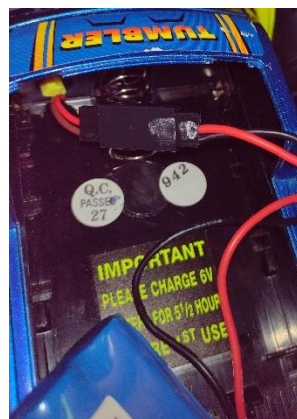
Set power switch to off.

Press where indicated to release Battery Power Cover.

Insert Battery Pack in compartment as shown (above).

Connect as pictured below, with the battery flat, and the cable tucked away above the spring out of the way of the Battery Pack cover. Replace Battery Pack cover.

Note: Batteries and Battery Packs may leak if left in toy for long periods of time - Remove when not in use, failure to do so renders warranty void.



Caution:

Do not pick up the vehicle whilst product is switched on or in motion, keep fingers, hair and clothing clear.

Adult supervision is required.

To avoid accidental operation - Remove Battery Pack and 9V battery when not in use.

Useful Hints and Tips

Two vehicles of the same frequency cannot be operated together, one should be 27mhz and one 40mhz.

Both frequencies are available from OneSwitch.org.uk.

The vehicle can be operated up to 20 metres away over a flat open area.

Range will be affected / reduced by any surrounding structures and buildings.

Battery life for controller - This is much greater than the vehicle's Battery Pack life and should last at least 120 minutes - Battery life depends on how the product is being used - Replace when vehicle stops responding.

Do not operate toy on - Sand, mud, water or thick carpets.

Run on smooth flat surface.

The vehicle Battery Pack will need recharging before the controller battery fails.

Remember to turn the vehicle off after use.

Keep packaging for reference as it contains important information.

Fault Finding

Toy not responding to controller - Replace controller battery.

Toy slow and less responsive - Recharge Battery Pack.

New controller battery, still no response - Check 9V battery is making a good contact.

If vehicle is still not operating properly the cause could be interference from another source, try operating in a different location.

Battery life for controller - This is much greater than the vehicle's Battery Pack life and should last at least 120 minutes - Battery life depends on how the product is being used - Replace when vehicle stops responding.

See important battery information and ensure compliance.

If the vehicle is not operating properly, after checking the battery pack and 9V battery are not the fault, please contact One Switch via www.oneswitch.org.uk, or info@oneswitch.org.uk.

Please recycle or return at the end of this products useful life.